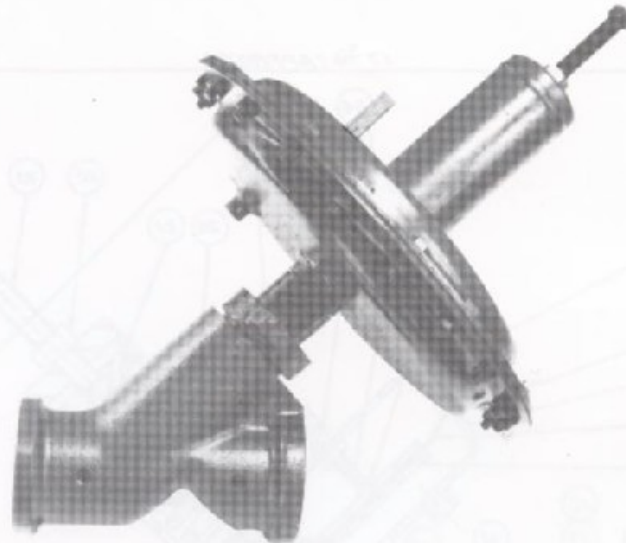


Tectrol Inc.  
P.O. Box 11357  
Odessa, TX 79760  
432-333-9544

**TECTROL**<sup>®</sup>

**HIGH PRESSURE  
CONTROL VALVE  
MODEL HPCV**



TECTROL'S High Pressure Control Valve is designed to control the pressure on your liquids or gases. Typical installations may include oil and gas separators, scrubbers, dehydrators and various liquid accumulators. Our valve was designed with a hammer union topworks for quick access, for inspection or replacement, of valve trim components without removing the body from the vessel or line. The angle design minimizes the possibility of freezing in low temperature applications. In effect, it is a simple and reliable valve.

TECTROL offers you this valve in 7400 PSIG and 4000 PSIG working pressure. You have two types of material to select for your seats and plugs, Tungsten Carbide and Stainless Steel. Both of these materials are standard stock items from TECTROL.

**CAUTION: REMOVE ALL PRESSURE UPSTREAM AND DOWNSTREAM AND DRAIN VESSEL OF FLUIDS BEFORE ATTEMPTING TO REMOVE THE TOPWORKS ON THIS UNIT. DO NOT HAMMER ON THE UNIT UNTIL YOU HAVE REMOVED PRESSURE FROM THE UNIT. EXTRA CAUTION SHOULD BE TAKEN IF THIS VALVE IS BEING USED IN A HAZARDOUS ENVIRONMENT (H<sub>2</sub>S OR CO<sub>2</sub>), ETC.**